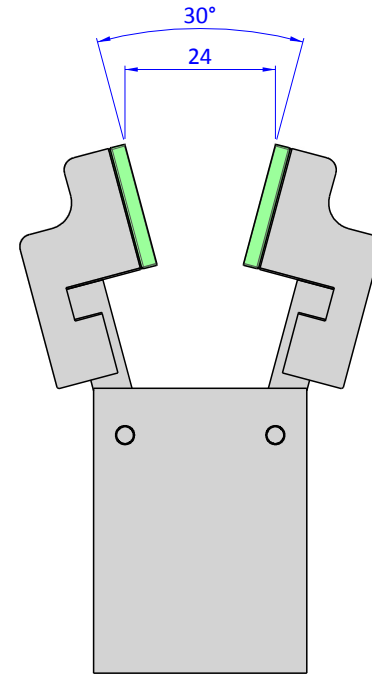
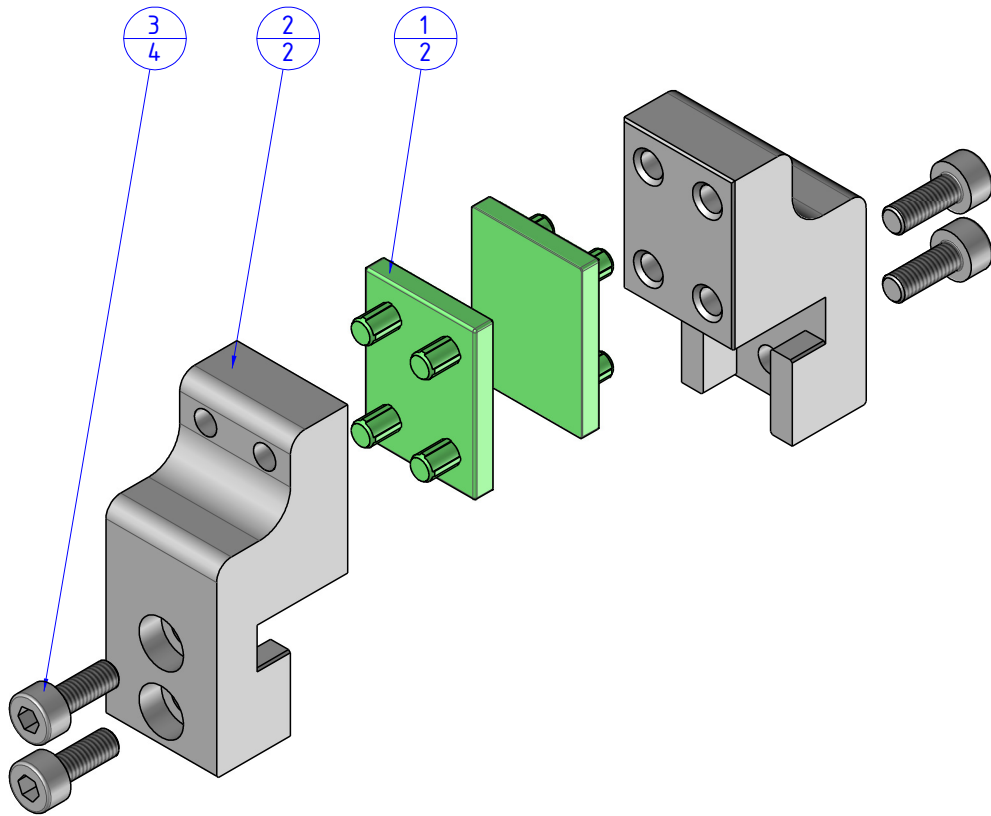
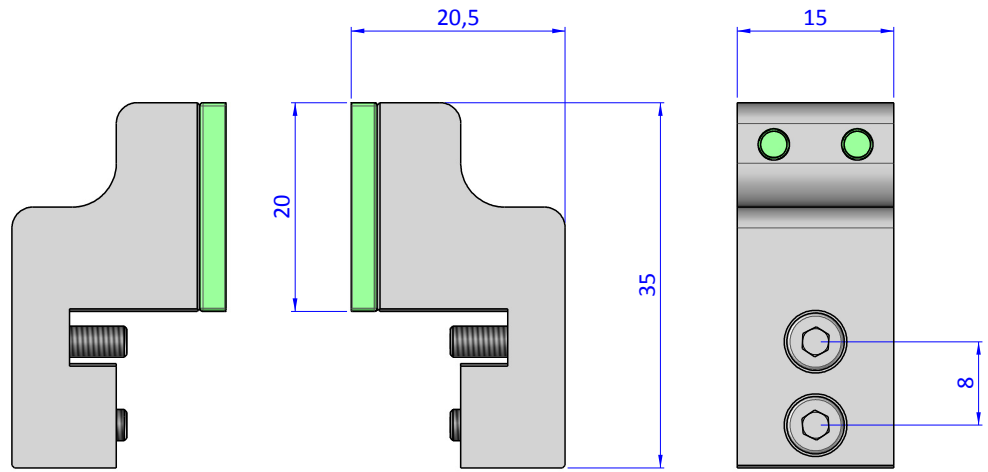


THE PROPERTY OF THE DRAWING IS ESTABLISHED BY LAW. IT IS FORBIDDEN TO PRODUCE OR SHOW IT TO THIRD PARTY, WITHOUT A WRITTEN AGREEMENT.

Item	Name	Q. ty
1	GRF20.95.08.V	2
2	KB.16.CGA	2
3	V.TCE3x8	4



Format A3

UNI 936-76

		DESIGNED FROM		REVIEW
		FPSERVICES		A / 10
GENERAL TOLERANCE		DATE	WEIGHT	
UNI - ISO 2768		26/09/2018	0,029kg	
CLASSE f		CODE		
		CA.KB.16.CGA		CA.KB.16.CGA